



# DEUTSCH 369 Series PCB-Mount Connectors

Compact, Lightweight In-Line and Panel-Mount Connectors  
for Printed Circuit Board Applications

The logo for iS Rayfast, featuring the letters 'iS' in a bold, italicized, black font with a grey swoosh underneath, followed by the word 'Rayfast' in a grey, sans-serif font.



# DEUTSCH 369 Series PCB-Mount Connectors

DEUTSCH 369 Series connectors from TE Connectivity (TE) have been designed to meet today's tightening industry regulations and Electrical Wiring Interconnect Systems (EWIS) best practices. Based on TE's successful DEUTSCH ARINC 809/EN4165 single module connector, the lightweight, compact 369 series connectors, available in 3, 6, and 9 positions standard, are suited for applications where fewer contacts are needed in each connector and shielding is unnecessary. The 369 series connectors are particularly suited to commercial and business jet aircraft cabin applications. The range now features a variety of options to suit most applications, including in-line and panel-mount versions.





## COMPATIBLE

- Fully compatible with 369 connector family
- Choice of in-line or panel-mount versions
- Compatible with other connectors meeting Boeing BACC65CP/CR

## SPACE SAVING

- Compact, high-density connectors
- Small PCB footprint
- Rectangular design enables close mounting pitch with adjacent connectors
- No fasteners required
- Eliminates flying leads for connectivity to board

## EASY TO INSTALL

- Mechanically self-retaining during soldering of in-line connectors
- No additional solder fixtures required
- Easy washout for post-soldering cleaning

## RELIABLE

- Mechanical location feature reduces mechanical stress on solder joints

## APPLICATIONS

- Commercial and Business Aircraft
  - Lighting
  - Seat Wiring and Actuation
  - Passenger Service Units
  - On-board Entertainment Systems
  - Electronic Window Shutters
  - Galley
- Helicopter Lighting
- Military Land and Aerospace
- Mass Transit Lighting

An extension to the popular 369 connector series product line, the 369 PCB connector mounts to a printed-circuit board (PCB). The PCB connectors are available in an in-line version and a panel-mount version.

The PCB connector simply inserts into the board and is then soldered, requiring no additional fasteners or fixings. The end result is an easy and quick-to-mount aerospace-qualified connector with a very compact footprint to help ensure PCB real-estate is maximized.

## Specifications

### MATERIALS

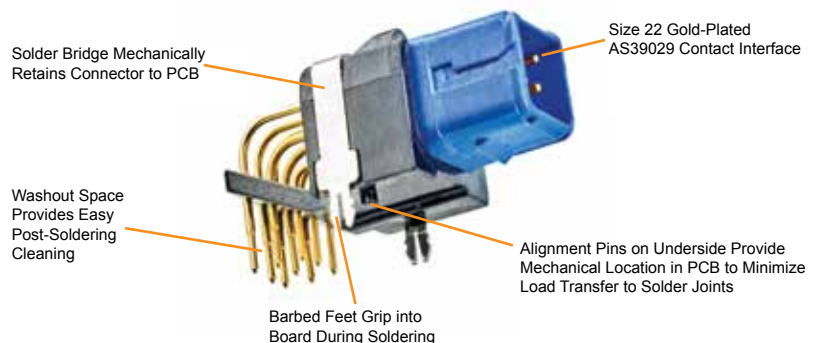
- **Seals and Panel Gasket:** Fluorosilicone
- **Body and Insert:** PEI
- **Contacts:** Copper alloy, gold plated

### ELECTRICAL

- **Insulation Resistance:**  $\geq 5000 \text{ M}\Omega$
- **Dielectric Withstand:**  $1500 \text{ V}_{\text{rms}}$ ,  $< 2 \text{ mA}$  leakage
- **Operating Current:** 5 A

### MECHANICAL/ENVIRONMENTAL

- **Temperature Range:**  $-55^\circ\text{C}$  to  $+175^\circ\text{C}$
- **IP Rating:** IP67
- **Sealing:** 12.1 kPa (1.75 psi) @ 15 km (50,000 ft)
- **Vibration:** EN2591-403, Method B, Level E, 8 hr/axis
- **Shock:** EN2591-402, Method A, Severity 100
- **Durability:** 500 mating cycles min.
- **Fluid Resistance:** EN2591-315
- **Flammability, Smoke, Toxicity:** FAR 25.853 Appendix F



## TE Components . . . TE Technology . . . TE Know-how . . .

AMP | AGASTAT | CII | HARTMAN | KILOVAC | MICRODOT | NANONICS | POLAMCO | Raychem | Rochester | DEUTSCH SEACON Phoenix | LL ROWE | Phoenix Optix | AFP | SEACON

Empower Engineers to Solve Problems, Moving the World Forward.



## Part Numbering System

**D369 - G 9 9 - N P 4**

**FAMILY**  
**D369**

**SHELL STYLE**

- A** PCB, Panel Mount, 1.27 mm (0.050")
- B** PCB, Panel Mount, 1.60 mm (0.063")
- C** PCB, Panel Mount, 2.03 mm (0.080")
- G** PCB, In-Line Mount

**SHELL SIZE**

**3, 6, 9**

**NUMBER OF CONTACTS**

**3, 6, 9**

**SHELL KEYING**

**N, A, B, C, D**

**CONTACT TYPE**

- P** Pin (Male)
- S** Socket (Female)

**CONTACT CONFIGURATION**

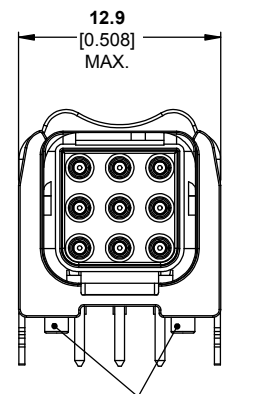
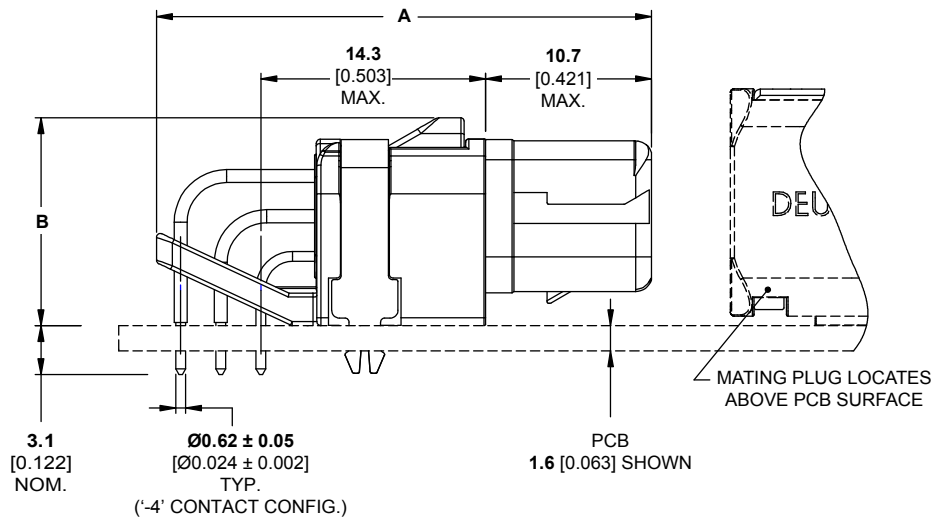
- 4** 90° PCB Mount, Gold Plated
- 5** 90° PCB Mount, Tin Dipped

**KEYING COLOR CODES**

Connectors are available with five keying options. They are color coded by option:

- N** Black, **A** Red, **B** Blue, **C** Green, **D** Yellow

## In-Line PCB Connectors

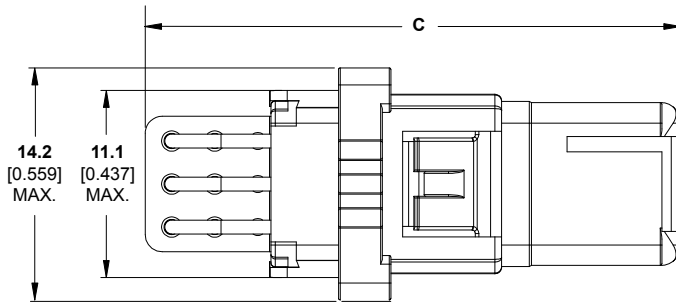


No. of Positions	A Max.	B Max.
3	26.6 1.047	8.4 0.331
6	29.1 1.146	10.9 0.429
9	31.6 1.244	13.4 0.528

Millimeters Inches

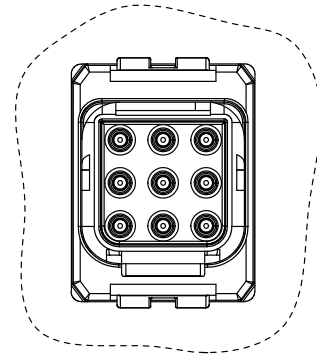
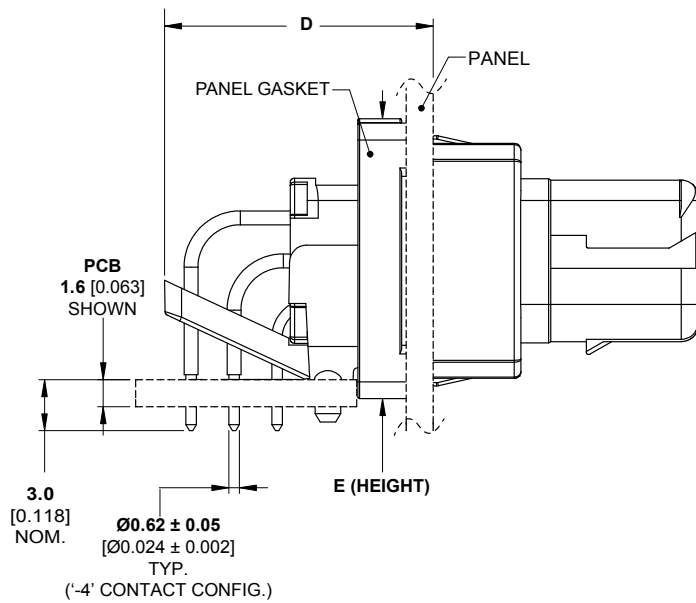


Panel-Mount PCB Connectors



No. of Positions	C Max.	D Max.	E Max.
3	26.8 1.055	11.2 0.441	11.7 0.461
6	29.4 1.157	13.7 0.539	14.2 0.559
9	32.0 1.260	16.3 0.642	16.8 0.661

Millimeters Inches





Tel: +44(0) 1793616700 • Fax: +44(0) 1793 644304  
uksales@is-rayfast.com • export@is-rayfast.com

**www.is-rayfast.com**

2 Lydiard Fields, Swindon, Wiltshire, SN5 8UB

